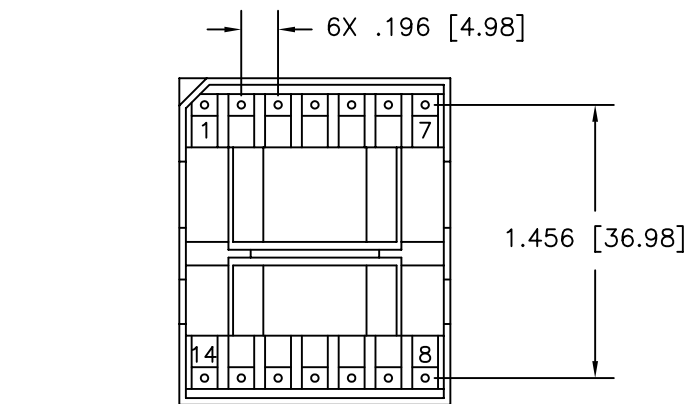
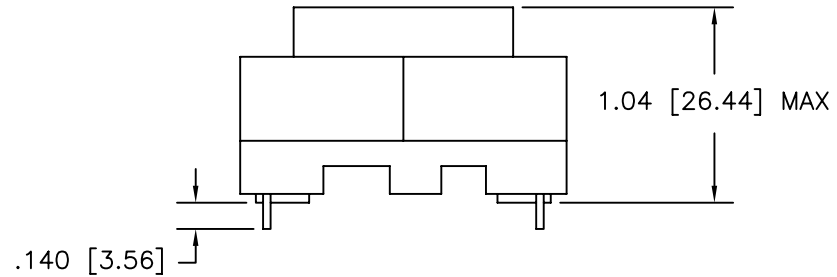
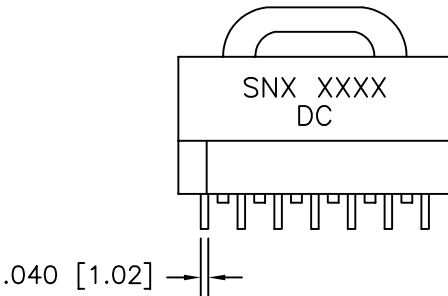
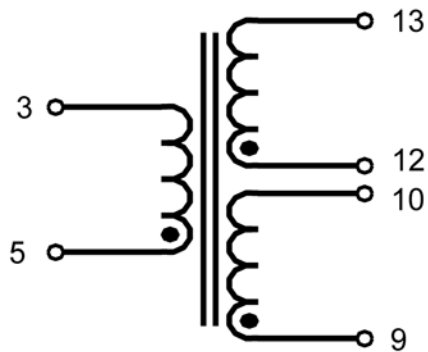
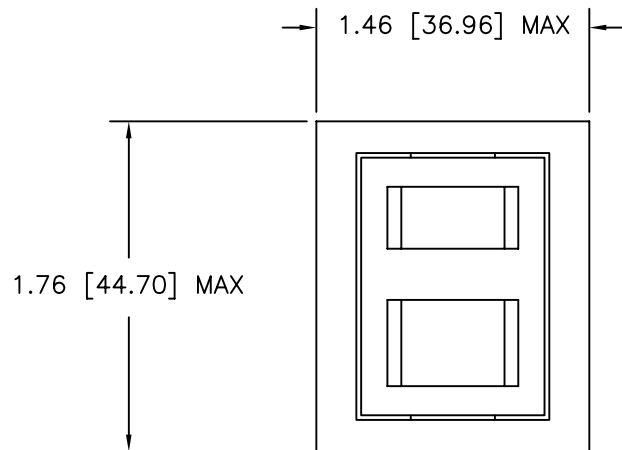


2

1

| Test Parameter   | Target        |
|--|---------------|
| Primary Inductance                                     | 450 uH±5%     |
| Primary Leakage Inductance                             | 90 uH±5%      |
| DCR (primary)  |               |
| DCR (secondary)  |               |
| Dielectric Strength (pri-sec)                          | 5000 Vac, 60s |
| Note: For all inductance measurements, f=100 KHz@1.0 V |               |

| REVISIONS |     |                             |          |          |
|-----------|-----|-----------------------------|----------|----------|
| ZONE      | REV | DESCRIPTION                 | DATE     | APPROVED |
|           | X1  | INITIAL RELEASE             | 03/06/08 | SC       |
|           | X2  | ADDED PROPRIETARY STATEMENT | 06/23/08 | SC       |



**PRELIMINARY**

**SANTRONICS RESTRICTED**

THIS DOCUMENT CONTAINS RESTRICTED INFORMATION THAT IS SANTRONICS CONFIDENTIAL AND PROPRIETARY. DISCLOSURE OR DUPLICATION IS NOT PERMITTED WITHOUT AUTHORIZATION FROM SANTRONICS.

|   |         |
|---|---------|
| NEXT ASSEMBLY                               | USED ON |
| APPLICATION                                 |         |
| WORKMANSHIP PER MIL-HDBK-454<br>GUIDELINE 9 |         |

|   |                                   |                      |
|---|-----------------------------------|----------------------|
| UNLESS OTHERWISE SPECIFIED                              |                                   | DATE                 |
| DIMENSIONS ARE IN INCHES                                |                                   | DRAWN TK 03/06/08    |
| TOLERANCES  |                                   | CHECKED              |
| FRACTIONS ±1/64   | DECIMALS .XX ± .02<br>.XXX ± .010 | APPROVED SC 03/06/08 |
| ANGLES 1°   |                                   | APPROVED             |
| ALL SURFACES ✓ EXCEPT AS NOTED                          |                                   | APPROVED             |
| PROJECTION  |                                   | CONTRACT NUMBER      |
| NOTE: DEBURR AND BREAK ALL SHARP EDGES EXCEPT AS NOTED. |                                   |                      |
| DO NOT SCALE THIS DRAWING                               |                                   |                      |

|                                    |         |              |     |
|------------------------------------|---------|--------------|-----|
| <b>SANTRONICS</b><br>SUNNYVALE, CA |         |              |     |
| TRANSFORMER ASSEMBLY,<br>250W, 24V |         |              |     |
| SIZE                               | FSCM NO | DWG NO       | REV |
| <b>B</b>                           |         | SNX 2448     | X2  |
| SCALE 1/1                          |         | SHEET 1 OF 1 |     |

2

1